

# KUBOTA WHEEL LOADER RT260-2



Engine output (PS):

**26**

Machine weight (kg):

**2400 / 2605**

# POWERFUL, MANOEUVRABLE AND VERSATILE

**Each job requires a specialized tool. The RT-2 loaders are perfectly designed for all kinds of application, such as construction, gardening, public works and agriculture. With the perfect balance between performance, compactness, safety and comfort no job is too big for the KUBOTA wheelloaders.**

## SHAFT DRIVE TRANSMISSION

In low gear the RT260-2 has a traction force of 18.000N. This power is distributed to the front wheels with a drive shaft. The driver has all this power in low gear while having a drive speed of up to 20 km/h in high gear. With the limited slip differential, even the roughest terrains can be handled.



## HYDROSTATIC TRANSMISSION (HST)

The hydrostatic transmission is equipped with high performance pump which guarantees an efficient transmission of the engine power to the wheels.



# VRABLE



## KUBOTA ORIGINAL ENGINE : POWERFUL, EFFICIENT AND LOW EMISSION

KUBOTA engine is known for its reliability and durability. It is strong and powerful with respect for the environment especially for noise and emissions.



**Engine output**  
**RT260-2: 26 PS**

## HEAVY DUTY CHASSIS

The thickness of the material used, the load resistance and the compactness are the key features of the chassis of the RT-2 series. In addition, the hydraulic tank is enclosed within the frame which provides additional counterweight.



## PIVOTING ARTICULATION

With an articulation of 42° and an oscillating angle of 8.5°, the RT260-2 can drive through tight space's without creating any damage on the surface.



# COMFORT / PERFORM MAINTENANCE

The drivers position of the RT260-2 is designed around the driver. All buttons and switches are easily reachable. The drivers seat has a headrest and 2 armrest for optimal comfort during long work days. The optional closed cabin has a heater, radio and 4 workinglights.

## DASHBOARD

The dashboard provides the operator with easy to read gauges for both the fuel level & engine water temperature and with additional warning lights for engine oil pressure, water temperature and battery charge. Therefore, you can operate your wheel loader in full confidence.



## MULTI-FUNCTION OPERATING LEVER AND STEERING COLUMN

The user friendly designed multifunction lever allows to control all the main functions of your articulated wheel loader: shuttle switch, auxiliary circuit (according to the versions) and, of course the front attachment functions. The steering wheel is tiltable in order to offer the best driving position to the operator.



# PERFORMANCE

## VERSATILE AND COMPACT

With a machine weight of 2400 kg for canopy version and 2605 kg for cabin version and a fork operating capacity of 1320 kg (straight position, standard tyres, without additional counterweight), the RT260-2 is the ideal articulated wheel loader for construction jobs which require power and manoeuvrability.



## DELUXE CABIN (OPTION) WITH HEATER AND RADIO

The deluxe cabin on the RT260-2 is equipped with a heater to clear the mist on the windows and keep the driver warm during cold winters. Working lights give perfect vision allround in the dark.

## DAILY MAINTENANCE

The main components which require daily check such as engine oil level, coolant level, air filter and radiator are easily accessible, thanks to the wide opening engine bonnet. In addition, the offset battery off terminals allow a quick starting assistance in the event of battery default.



## TRANSMISSION CONTROL

The hydrostatic transmission is controlled by a pedal located on the right side of the steering column. A simple action of the right foot on the pedal acts simultaneously on the engine rpm and also on the hydrostatic pump. The operator can control the travel speed with full concentration on the front attachments being used.



# SAFETY / SECURITY

**A safe and comfortable driving position. The optional cabin is made to keep the driver warm during the coldest working hours. All canopy, foldable canopy and deluxe cabin are ISO approved ROPS/FOPS.**

## COUNTERWEIGHT

The counterweight is integrated in the rear part of the frame. An additional counterweight of 125 kg is available as an option to improve the stability.



## LIGHTING EQUIPMENT

The KUBOTA wheelloaders are equipped with a working light on the lifting arm. To increase visibility 5 more working lights, halogen or LED, can be added. Road lights can be fitted as an option to make the wheel loader road legal.



## CABIN OR SAFETY CANOPY AND COMFORT SEAT

The RT260-2 is available with cabin or with canopy. In both cases, the protective structures are certified ROPS ISO3471 and FOPS ISO3449. In order to insure a good operating comfort, the seat is fitted with two arm rests and a safety belt.

## Kubota Genuine and Approved Parts

for maximum performance, durability and safety



# Standard and optional equipments

• Standard equipment    ○ Optional equipment

Model	RT260-2
<b>Engine/Fuel system</b>	
KUBOTA original engine (Stage V)	•
Double air filter	•
Oil cooler	•
<b>Travel system</b>	
Hydrostatic 4 wheel drive with automotive control	•
8 ton planetary axles (HD version) with 18.000 N pulling force	•
Limited slip on both axles	•
Hand throttle	○
Hand inching	○
Pro-inching	○
Different tires	○
<b>Hydraulic system</b>	
Hydraulic quick coupler	•
Hydrostatic transmission	•
Inching and brake pedal (left)	•
Multi function joystick	•
Floating position	•
Lever behind joystick for AUX control (mechanical control)	•
Extra mechanical controlled AUX line	○
Electrical controlled AUX line	○
2nd Electrical controlled AUX line	○
Double gear pump	○
Single / double side stop	○
Safety valves	○
Leak oil	○
Free return	○
<b>Driving position</b>	
Safety roof	•
Weight-adjustable seat with arm rests and back rest	•
Seatbelt	•
Tilt steering	•
Safety doors	•
Mudguard wideners	○

## Accessories



### QUICK COUPLER

RT260-2 is equipped with hydraulic quick coupler for easy and fast change of attachments.



Model	RT260-2
<b>Safetyroof deluxe</b>	
Rear view mirrors	○
2 front and 2 back working lights on the roof ROPS (Roll-over Protective Structure)/ FOPS (Falling Object Protective Structure)	
Safety doors	
<b>Foldable safety roof (clearance height 1845mm)</b>	
Safety doors ROPS (Roll-over Protective Structure)/ FOPS (Falling Object Protective Structure)	○
<b>Foldable safety roof (clearance height 1845mm)</b>	
Rear view mirrors	
2 front and 2 back working lights on the roof	
Safety doors ROPS (Roll-over Protective Structure)/ FOPS (Falling Object Protective Structure)	
<b>Cabin</b>	
Cabin with heater	
2 front and 2 back working lights on the cabin	
Radio	
Side mirrors	
Emergency exit hammer ROPS (Roll-over Protective Structure)/ FOPS (Falling Object Protective Structure)	
<b>Lighting</b>	
Flashing warning light halogen	○
Flashing warning light LED	○
Traffic lights + 2 mirrors halogen	○
Traffic lights + 2 mirrors LED	○
Additional working light halogen	○
Additional working light LED	○
<b>Other</b>	
13 pin Trailer socket to the back	○
3 pin socket on the front or back	○
Reverse buzzer	○
Counterweight 125 kg	○
Combination towing hook	○
Three point lifting mechanism CAT1 incl. Extra double acting Hydr. Funct. Mec	○
Parallel indicator on tilt cylinder	○
Kit engine heater 220v	○
Boom suspension*	○
Oscillation stabilizer*	○
Other QC	○

\*For further information consult your local dealer.

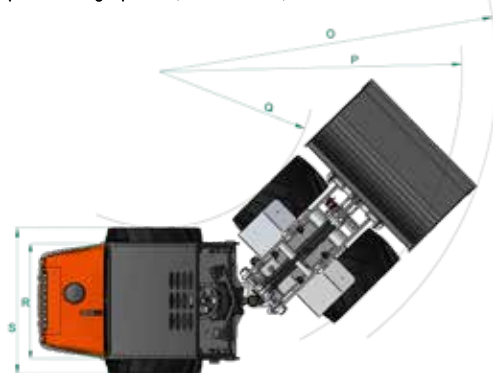
Tire	Width cm	Calc. Speed km/h
11.5/80-15,3 AS	110	19
31x15,5-15 AS	131	17
31x15,5-15 X-trac	136	18
31x15,5-15 SKID	132	17
400/50-15 Grass	132	17
15.0/55-17 AS	128	19
33x15,5-15 X-trac	136	18,8
33x15,5-16,5 Grass	136	18,3

\*Theoretical data

# Specifications

Model		RT260-2	
Operating weight (canopy/cabin)	kg	2475 / 2680	
<b>Engine</b>			
Manufacturer	Kubota		
Model	V1505 Stage V		
Horse power (ISO9249)	kW	19	
	PS	26	
Number of cylinders	4		
Displacement	cc	1498	
<b>Transmission</b>			
Type	Hydrostatic with automotive control		
<b>Operational specifications with pallet fork in straight position (ISO 14397) and tipping Load (G) measured on hinge point*</b>	A	kg	1850
	B	kg	1320
	C	kg	1050
	D	kg	2700
	E	kg	1700
	F	kg	1250
	G	kg	2600
<b>Travelling</b>			
Tyre size	11.5/80-15.3 AS		
Travelling speed	km/h	0-10 km/h 0-20 km/h	
Traction force	N	18.000	
Angle of oscillation	°	8,5	
Auxiliary oil flow	l/min	40	
Auxiliary oil pressure	bar	210	
<b>Noise level</b>			
Sound pressure level (LpA)(canopy/cabin)	dB (A)	≤101	
Sound power level (LwA (2000/14/EC))	dB (A)	≤101	
Hand arm system vibration	m/s <sup>2</sup>	≤2.5	
Whole body vibration	m/s <sup>2</sup>	≤2.5	
<b>Capacity</b>			
Fuel tank	l	30	
Hydraulic oil tank	l	54	
Engine oil	l	5,3	
Front / rear axle oil		3,5	

\* Tipping load measured on hinge point in straight position, standard tires, no additional counterweight.

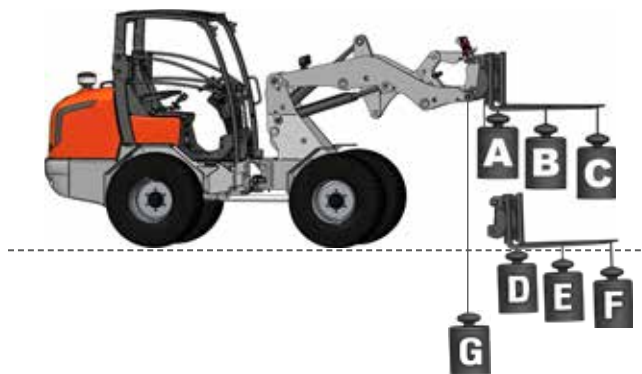


# Dimensions

Machine dimensions\*

Model		RT260-2	
A	Wheel base	mm	1695
B	Overall length without bucket	mm	3316
C	Overall length with bucket	mm	4085
D	Seat height	mm	1341
E	Overall height	mm	2322
F	Front frame height	mm	1492
G	Dumping height	mm	1735
H	Max. height at hinge pin	mm	2498
I	Max. lifting height at bucket	mm	3070
J	Roll back angle at ground level	deg	42
K	Roll back angle at max. height	deg	47
L	Dumping angle	deg	37
M	Rear climbing angle	deg	28
N	Diameter of standard wheel	mm	850
O	Turning radius with bucket	mm	3045
P	Turning radius (outer wheel)	mm	2623
Q	Turning radius (inner wheel)	mm	1523
R	Tread	mm	850
S	Overall width	mm	1100
-	Articulation angle	deg	42
-	Ground clearance	mm	230

\*The data have been measured on the standard version. Specifications are subjects to be changed without notice.



★ All images shown are for brochure purposes only.

When operating the wheel loader, wear clothing and equipment in accordance to local legal and safety regulations.

## KUBOTA EUROPE S.A.S.

19 rue Jules Vercurysse  
 Zone Industrielle - CS 50088  
 95101 Argenteuil Cedex France  
 Téléphone : (33) 01 34 26 34 34  
 Télécopieur : (33) 01 34 26 34 99  
<http://www.kubota-eu.com>

